

MILA BACK TO WALL FREE STANDING BATH

Code: BT6835-1400/BT6835-1500/BT6835-1700

Colors: Gloss White

Size: 1400/1500/1700mm

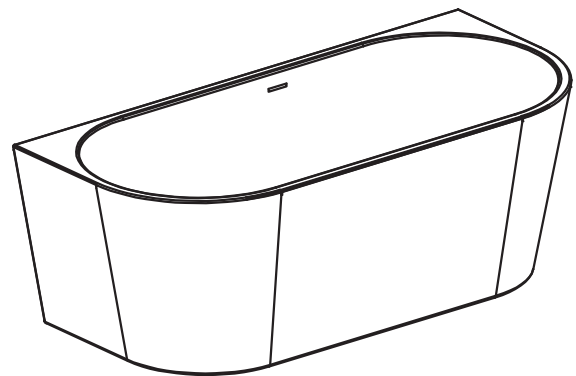
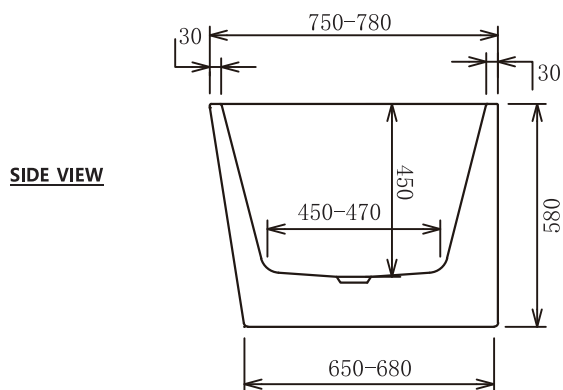
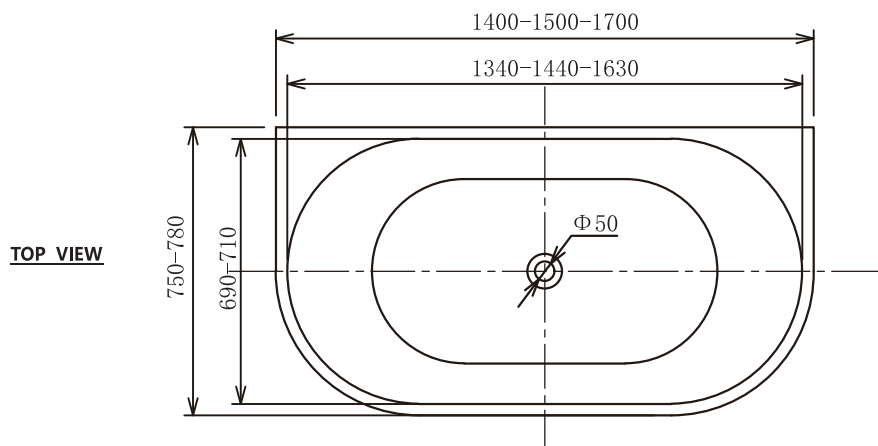
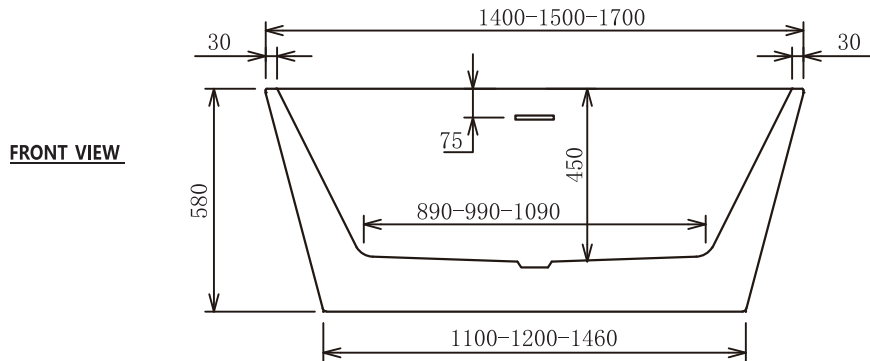


Features

- Modern, slim edge design
- Gloss white finish
- Premium sanitary-grade acrylic
- Overflow
- Built-in steel support frame
- Adjustable self-supporting feet
- Capacity: 220L/240L/267L
- Net weight: 40kg/42kg/48kg
- Gross weight: 47kg/51kg/59kg



Specifications & Data



Product Care and Cleaning

Regularly clean with mild soapy water

Do not use harsh detergents, bleach, cream cleaners, window cleaning sprays, or citrus base cleaners

Do not use undue pressure and wipe in one direction only

If using coloured essential oils, test in an inconspicuous area with water to ensure they won't stain the bath. Always add oils to a bath full of water

Warranty Terms & Conditions

All Zumi products are manufactured to the highest standards and guaranteed to be free of defects, subject to the conditions outlined below. In addition to the statutory rights given under Australian Consumer Law, Zumi offers the following extended warranty periods from the date of purchase or handover:

Products: Milla Back To Wall Free Standing Bath Tub

Warranty: 15 Years / 1 Year

Terms Replacement Products / Parts & Labour

Installation Steps:

1. Remove your freestanding bath from the carton & place it in the correct position for installation. Check for damage & ensure your bath does not come in contact with any rough surfaces which may scratch your bath. Place your freestanding bath on cardboard or carpet during installation.

2. Turn the self-leveling feet so the bath base is level & 3-5mm above the finished floor.

A) Ensure there is a gap of 3-5mm between the bath shell & the floor. Installing the bath shell directly onto the bath floor will place pressure on the outside wall of the bath & can crack the bath.

B) Ensure the bath is level so all the water can drain to the waste outlet.

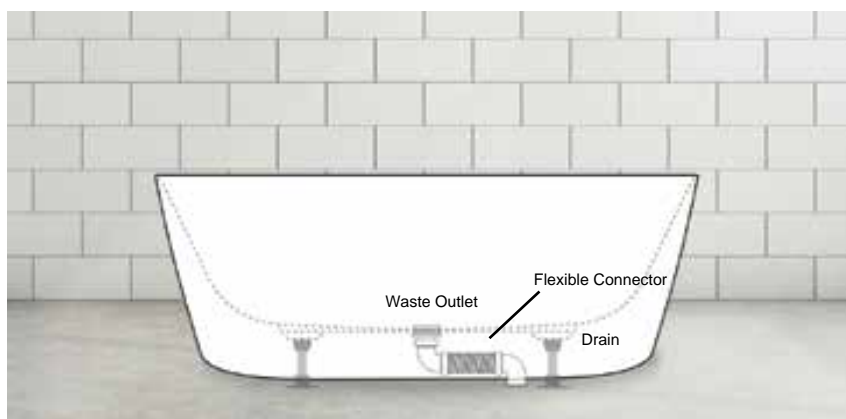


3. Carefully tilt the bath on its side & connect it to the drain outlet.

4. Before finishing, water test for leaks & correct drainage.

A) Fill the freestanding bath with water and check the water flows easily to the waste outlet.

NOTE a small amount of water may pool due to surface tension.



5. Apply a thick bead of silicon around the bath base & the finished floor & allow it to set for 24 hours.