

BELAVISTA®

SPECIFICATIONS

Doros

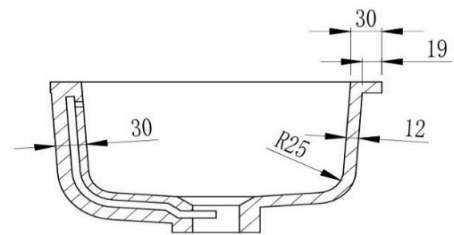
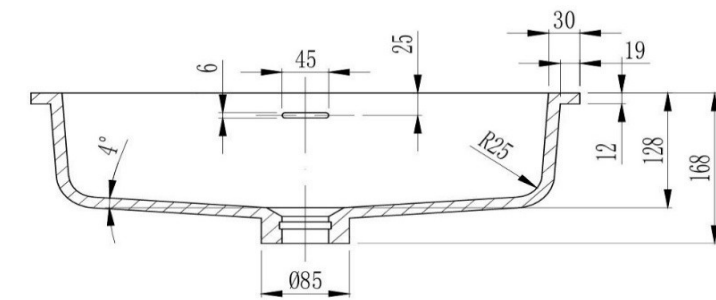
Drop In or Undermount

530 x 320 x 168mm

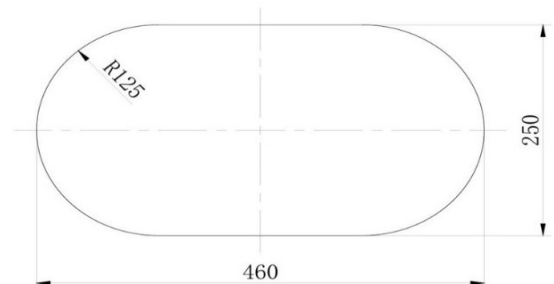
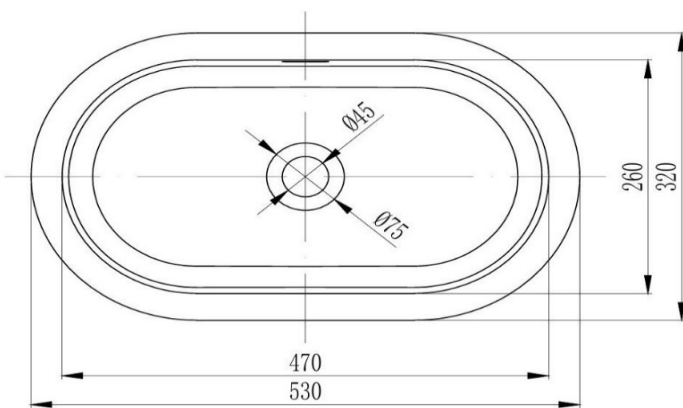
Water Capacity 8.6 Litres

Solid Surface

Overflow suitable for
6 Star Rated tapware



Cutting Size
(Undermounted Installation)



WWW.BELLA-VISTA.AU

While we aim to provide correct specifications, Bella Vista reserves the right to make modifications without prior notice. Size and colour may vary from image shown. All measurements are shown in millimetres. Please allow for a +/- 10 mm tolerance for variances. Always use the physical product measurements for mark ups and roughing in. Technical drawings may differ from products received.