



AMBER & VERA LED SHAVING CABINET **INSTALLATION MANUAL**

A75D, A90D, A120D, A150D, V75D, V90D, V120D, V150D

 **CAUTION - This product must be installed by a licensed electrician.**

It is the responsibility of the installer to ensure the product is correctly installed, as per this instruction manual.

Please read this instruction manual & warnings carefully and refer back during installation to ensure the product is fitted safely and that it retains its high quality.

BEFORE INSTALLATION

Please check your goods carefully and ensure all supplied parts are removed from the box prior to disposal.

If your LED Mirror is damaged, incorrect or faulty, **DO NOT** proceed with installation and get in touch with your store of purchase immediately. No claims for damages or defects will be accepted after this product is installed.

For full warranty terms please visit remer.com.au/warranty

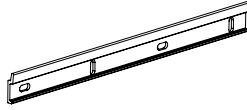
FOR SAFE USE:

- Our mirrors are RCM certified to Australian standards, so are recognised as electrical appliances. Power points or additional fixings cannot be added, as this will void certification and warranty, and may render the product unsafe.
- Always switch off the electrical supply to the product at the mains during installation and maintenance.
- We recommend this product be installed by two people.
- Refer to product IP rating for compliant installation of this product, in line with IEEE regulations. Visit the resources page on our website for specification sheets, www.remer.com.au/resources
- Take suitable precautions when handling products.
- Do not install and/or use if product is broken or unsafe.
- This product is not suitable for use in saunas, steam rooms or shower cubicles.
- Mirrors should be dry at all times, and are not suitable for use as a splashback.

PARTS IN BOX:

1 x LED Shaving Cabinet

1 x Bracket



A75D, A90D, V75D, V90D

7 x Screws

8 x Stickers

5 x Rubber Grommets

2 x Glass Shelves

A120D, V120D

7 x Screws

10 x Stickers

5 x Rubber Grommets

2 x Glass Shelves

A150D, V150D

12 x Screws

8 x Stickers

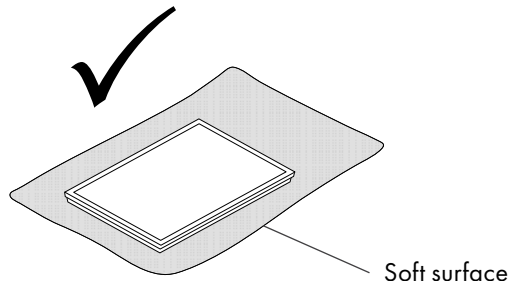
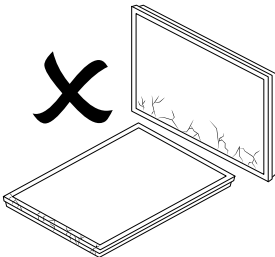
5 x Rubber Grommets

2 x Glass Shelves

This installation manual applies to the Amber & Vera shaving cabinet only.
Cabinet shape for illustrative purposes only.

HANDLING TIPS:

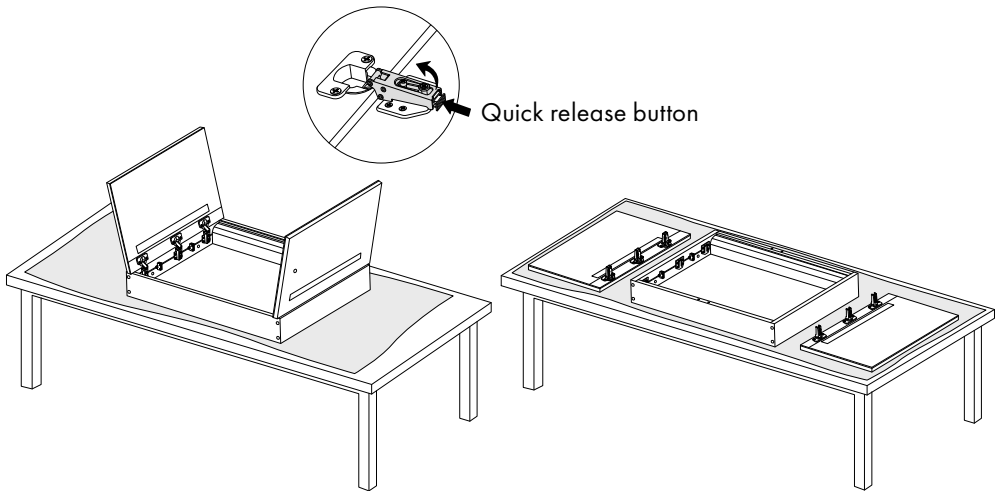
- **Do not place Remer mirrors on hard surfaces.**
- **Always lift with two or more people.**
- Measure and install brackets on the wall using the appropriate wall fixings for your wall type, this may be different to what has been supplied.



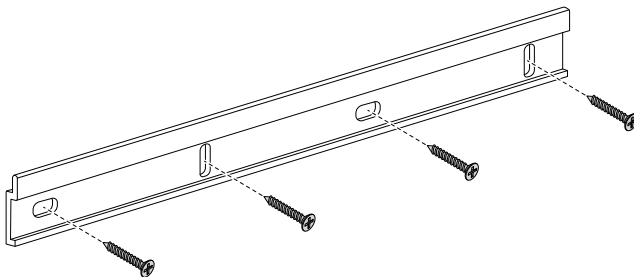
WALL HUNG INSTALLATION

All Remer LED products require an isolation switch as set out in the Australian Electrical Safety Standards with appropriate circuit protection.

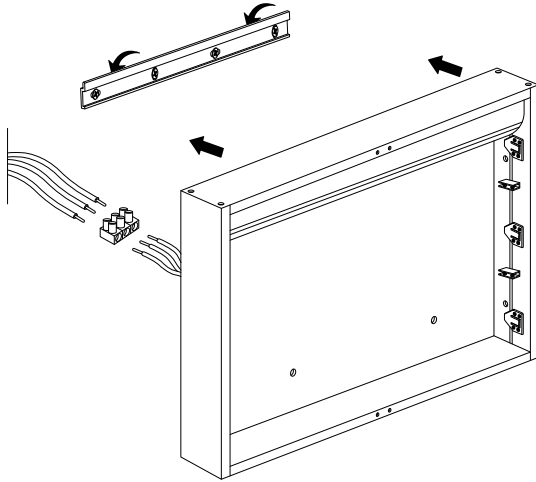
1. Remove the doors and lay flat on a bed or soft surface (do not stand on its end as it will damage the glass). Remove the hinge by pressing the quick release button at the back of the mounting. DO NOT UNSCREW THE HINGE FROM THE DOOR OR CABINET.



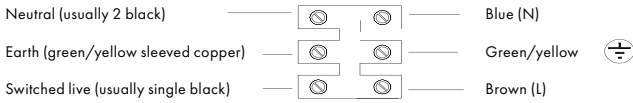
- 2.



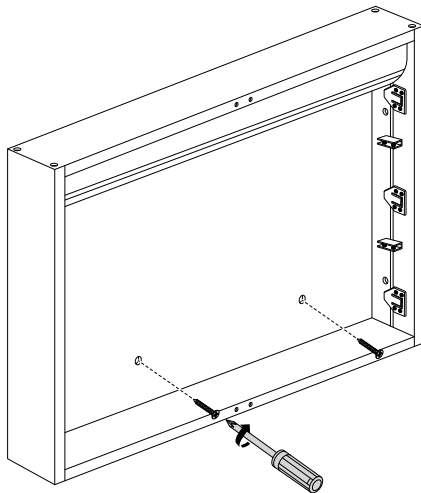
3.



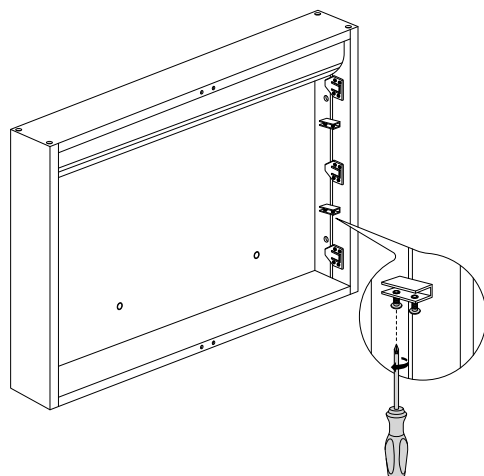
Wiring from isolation switch



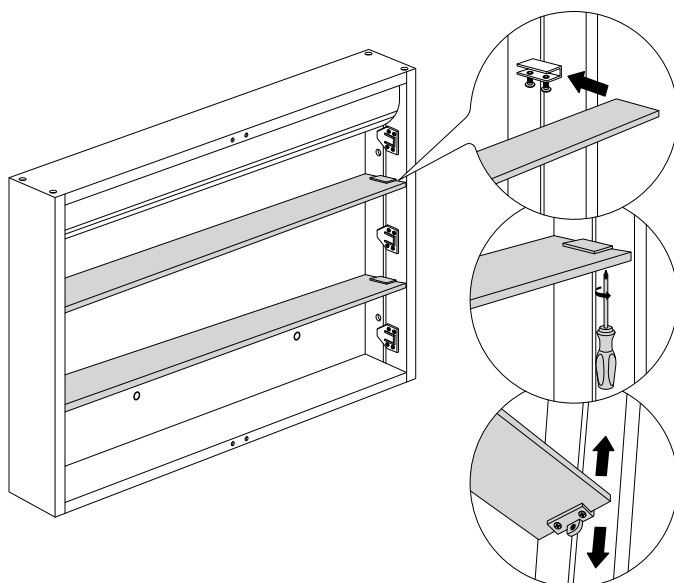
4. Attach fixings through pre-drilled holes in back of cabinet (this will stop the cabinet coming the off bracket). Cover screws and holes with supplied covers.



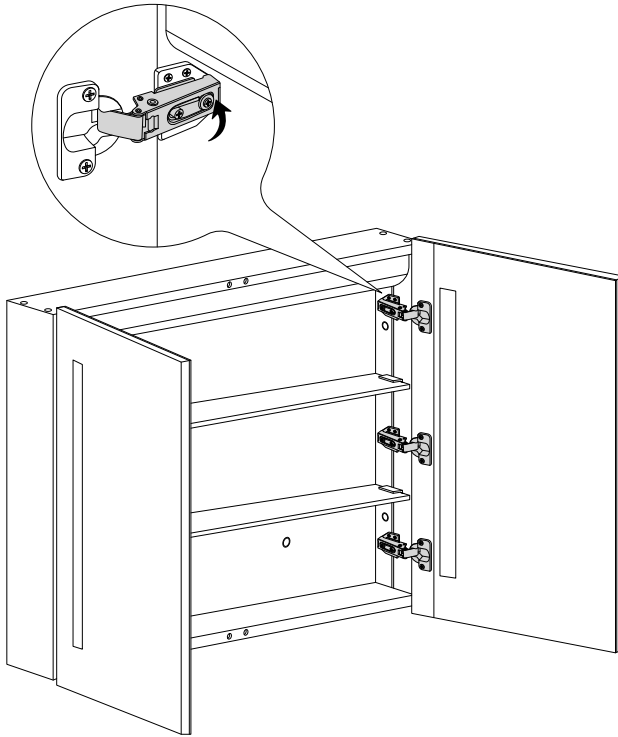
5. Install shelf and adjust. Frosted side down.



- 6.



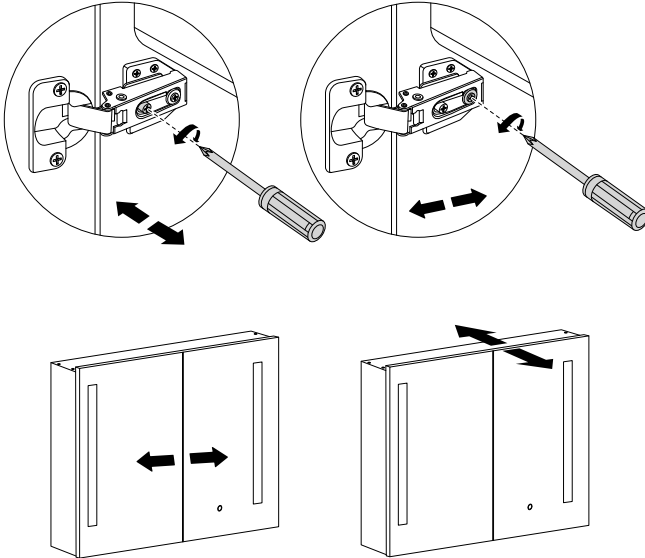
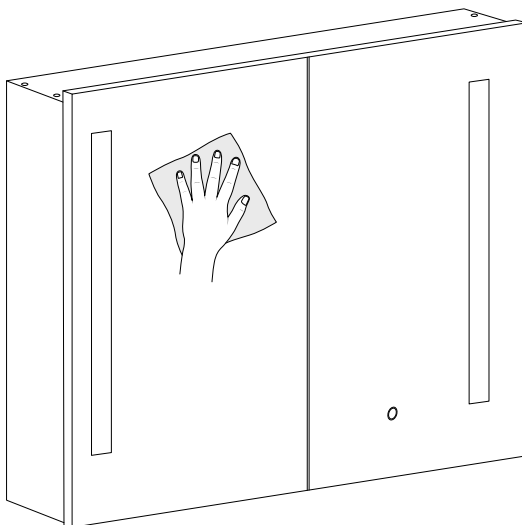
7. Reinstall doors and adjust as needed.



To fit the door simply clip the soft close hinges into place. This is achieved by engaging the front of the hinge into the cabinet mounting plate a) and pushing in the rear of the soft hinge until it locks into place b).

8. Door Adjustment

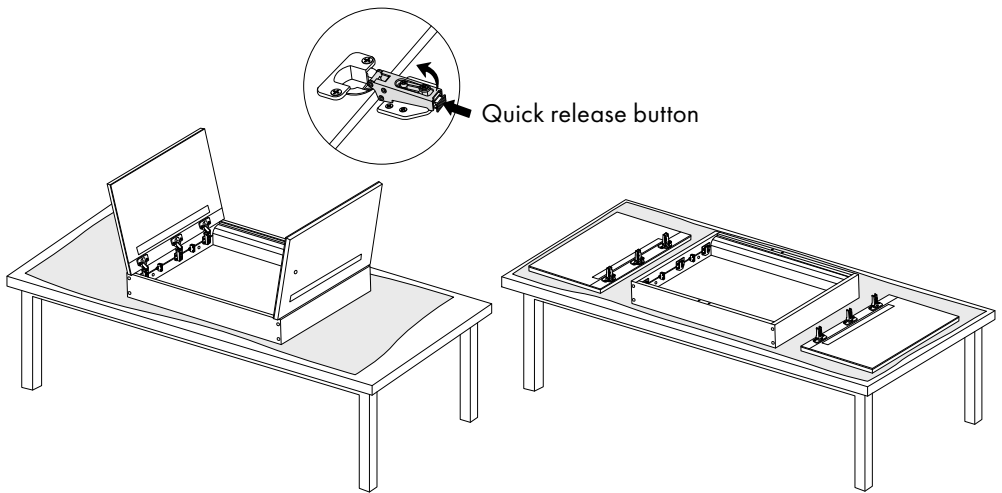
There are two adjustment that can be made a) will adjust the door left to right b) will adjust the gap between the door and the cabinet.

**9. Clean with soft cloth and test.**

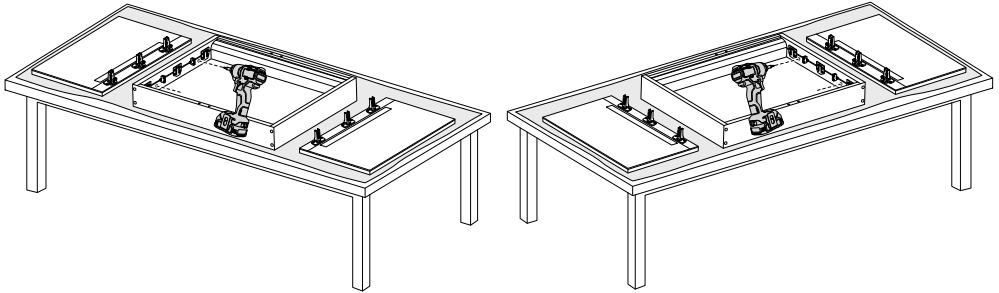
RECESSED MOUNTING INSTALLATION

All Remer LED products require an isolation switch as set out in the Australian Electrical Safety Standards with appropriate circuit protection.

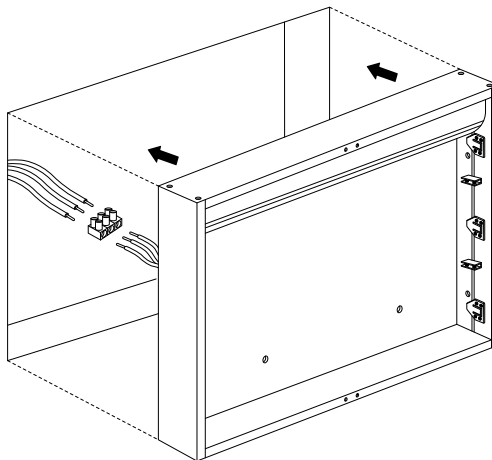
1. Remove the doors and lay flat on a bed or soft surface (do not stand on its end as it will damage the glass). Remove the hinge by pressing the quick release button at the back of the mounting. **DO NOT UNSCREW THE HINGE FROM THE DOOR OR CABINET.**



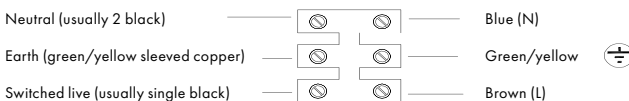
- Remove rubber grommets from both left and right sides of the cabinet. Using the holes as a guide, drill holes through outer edge of the cabinet. Warning: Do not drill any other area of the shaving cabinet as this will void the warranty.



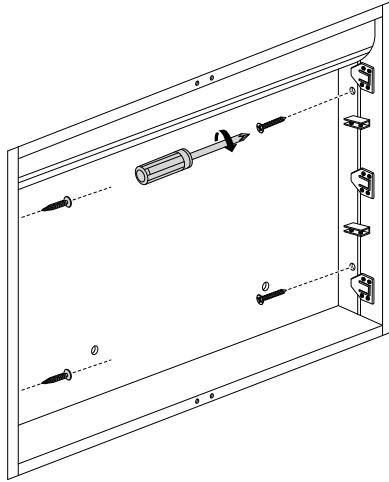
- Connect wiring and slide cabinet into pre-framed wall cavity, tucking excess wiring out of the way.



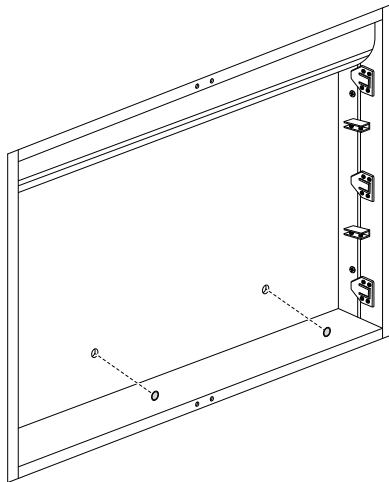
Wiring from isolation switch



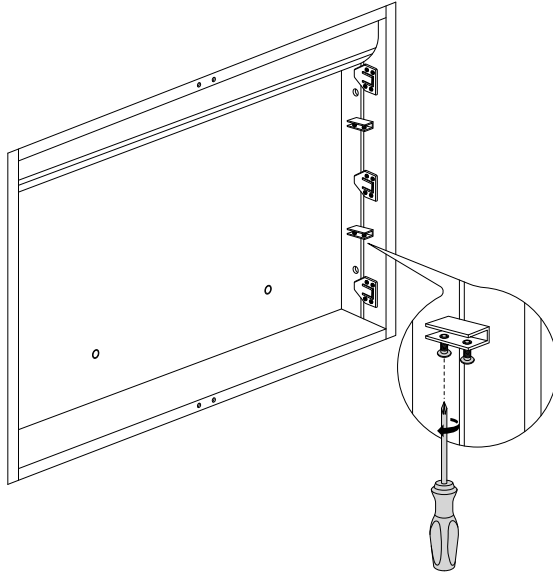
4. Ensure cabinet is level, and fix with screws into framing to secure.



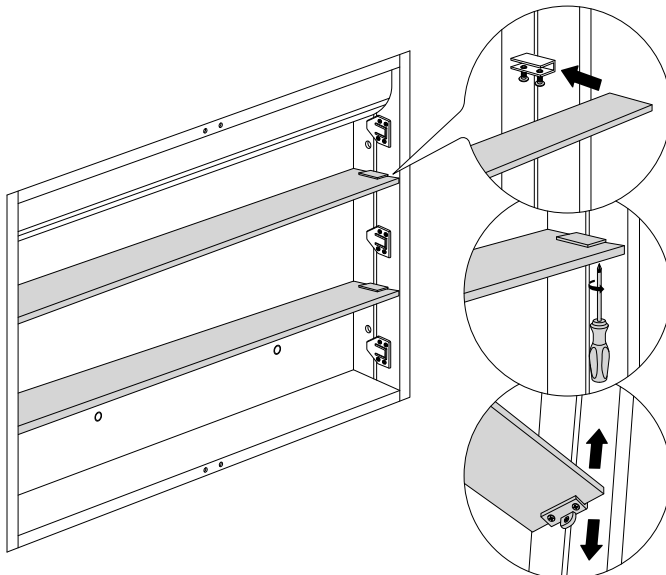
5. Replace rubber grommets and cover back screw holes with supplied covers.



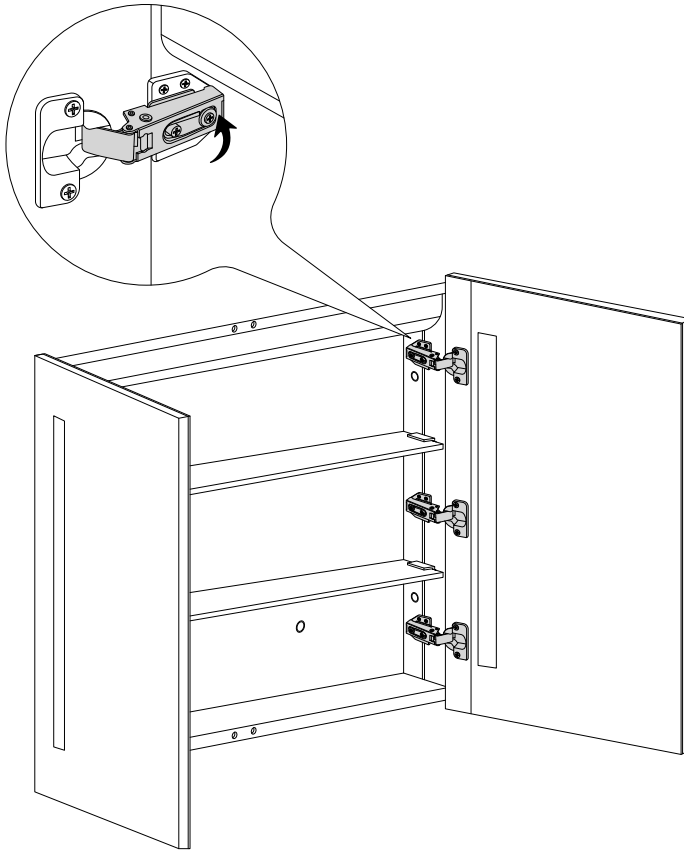
6. Install shelf and adjust. Frosted side down.



- 7.



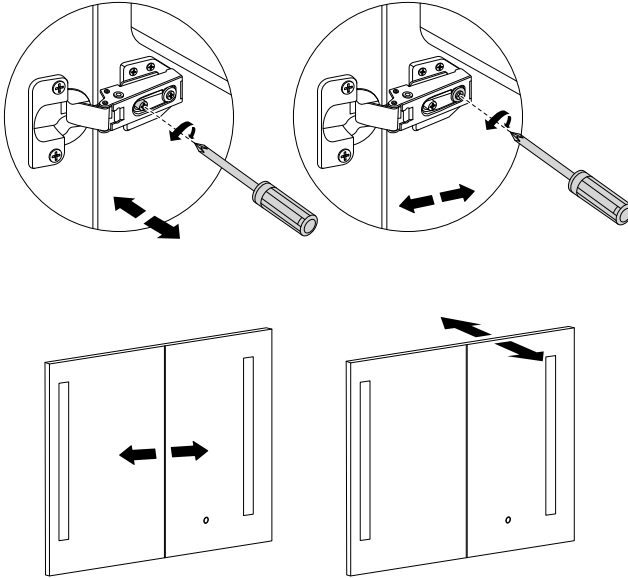
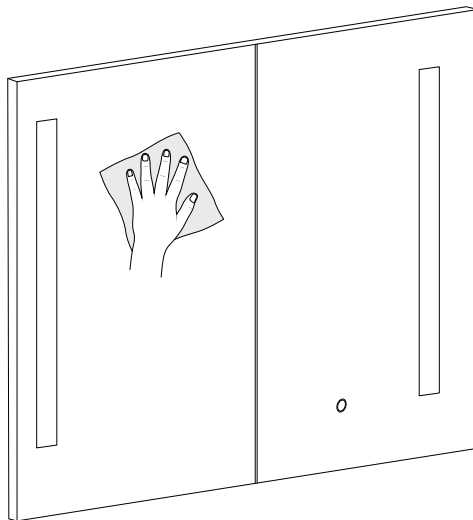
8. Reinstall doors and adjust as needed.



To fit the door simply clip the soft close hinges into place. This is achieved by engaging the front of the hinge into the cabinet mounting plate a) and pushing in the rear of the soft hinge until it locks into place b).

9. Door Adjustment

There are two adjustment that can be made a) will adjust the door left to right b) will adjust the gap between the door and the cabinet.

**10. Clean with soft cloth and test.**

REMER PTY LED RESERVES THE RIGHT TO MAKE ANY CHANGES IN PRODUCT CHARACTERISTICS, PACKAGING OR AVAILABILITY AT ANY TIME WITHOUT NOTICE. PLEASE VISIT OUR WEBSITE OR CONTACT OUR MELBOURNE BASED CUSTOMER SERVICE TEAM FOR THE LATEST INFORMATION.



13-15 Edison Road, Dandenong South, VIC 3175

03 9706 6663

info@remer.com.au

www.remer.com.au