

REMER

AMBER 900

LED SHAVING CABINET

SPECIFICATIONS

WIDTH	900mm
HEIGHT	700mm
DEPTH	145mm
WEIGHT	31kg

LIGHTING SPECIFICATIONS

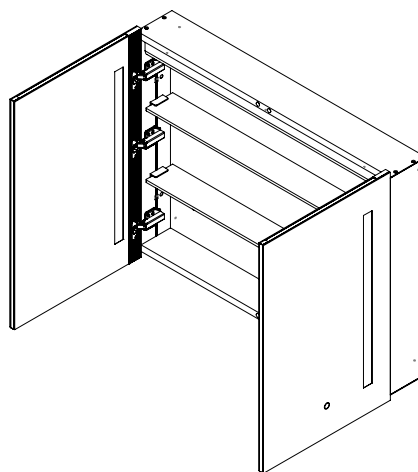
CCT	6500K – daylight
CRI	>80

INSTALLATION

Wall mount
Hardwired
Input voltage: 220-240v 50Hz
Includes wall mount split batten
Mounting holes are provided for semi-recessed mounting

FEATURES

Copper Free Mirror
LED Lighting (6500K)
Touch Sensor
Demister on all Doors
Soft Close
Concealed Wire Technology
Two Adjustable Glass Shelves
Double-Sided Mirror Doors
Recessable up to Door

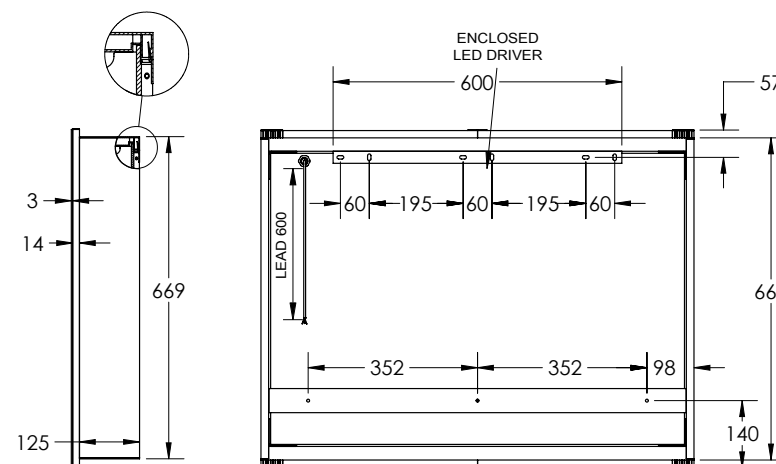
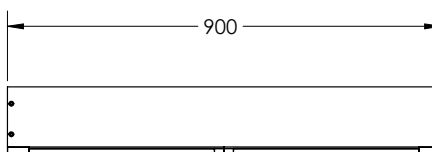
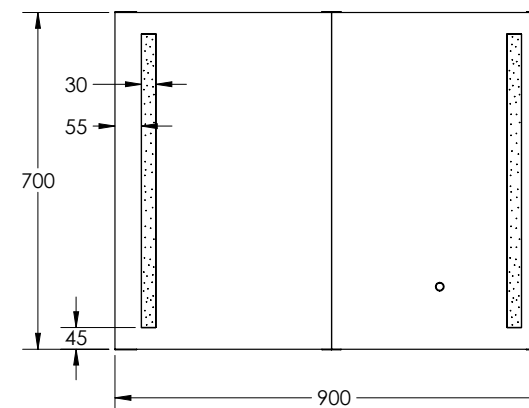


FINISH

Silver Aluminium

PRODUCT CODE

A90D



5 YEAR
REPLACEMENT
WARRANTY

Disclaimer: All LED Products requiring hardwiring must be installed by a licensed electrician in accordance with local regulations. Sizes are in mm and nominal and should be checked prior to installation. Actual colours may vary so please check colour samples before ordering. Installation is acceptance of our products. Installation of faulty, warped, chipped or damaged products will void our warranty.

13-15 Edison Road, Dandenong South VIC 3175
T (03) 9706 6663 E sales@remer.com.au W remer.com.au

REMER