

# BELLAVISTA®

Scan for installation Guide

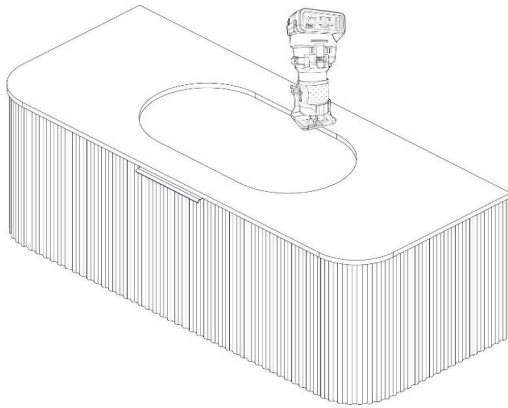


Basin install guide  
V-1 (5025) KS

This Product must be installed by licensed plumber.

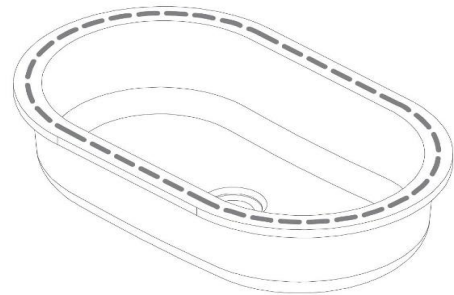
## Step 1

Mark out the basin location on the benchtop using a pencil or similar that can be cleaned and will not mark the benchtop permanently, cut out the area for the basin.



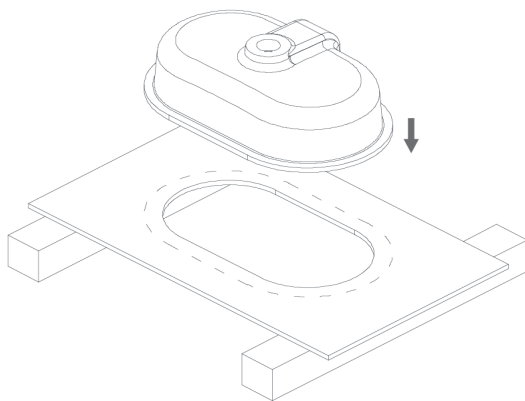
## Step 2

Clean area shown and apply non acidic silicon or similar.



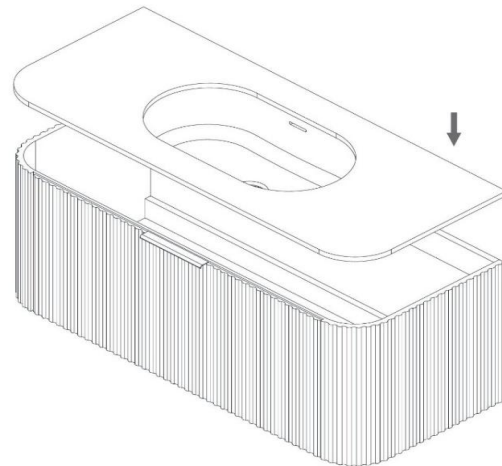
## Step 3

Turn benchtop upside down and place it on couple of spacers to elevate from work bench.  
Clean the area where the basin will be silicones/mounted to.



## Step 4

Once the silicon has cured in 24 to 48 hours depending on the climate, turn over benchtop and mount to the vanity.



Thank you for Choosing Bella Vista