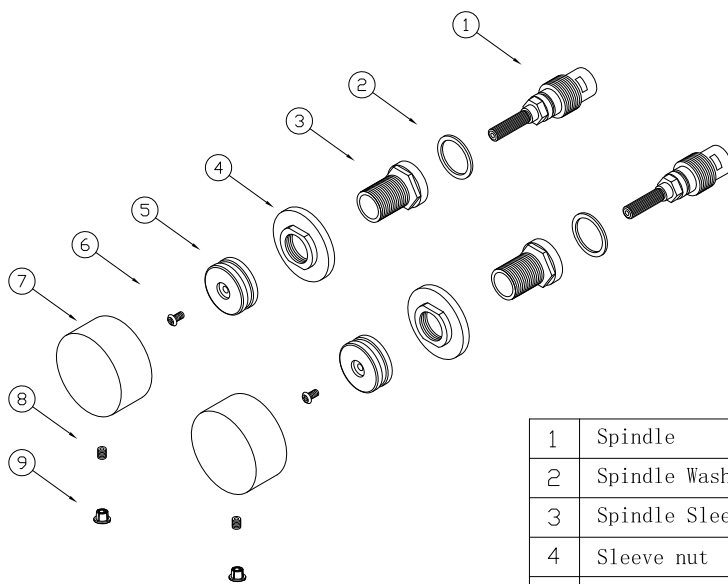
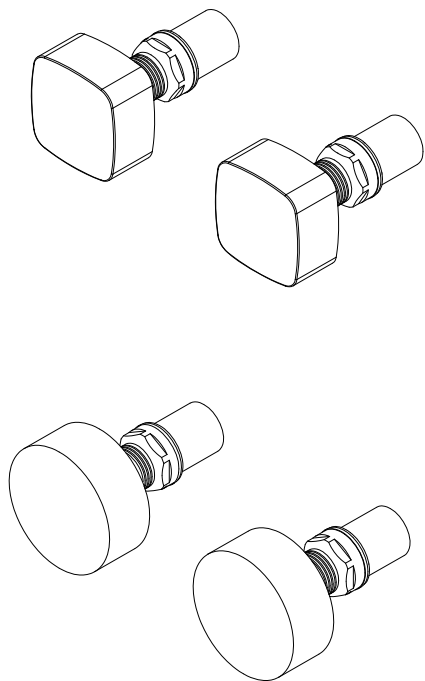


ItemNo: WTA-R,WTA-SS  
AUST-(0326)K.S

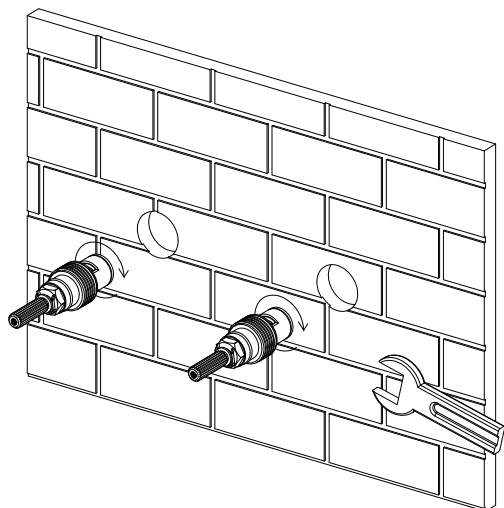
This product must be installed by a licensed Plumber



|   |                 |
|---|-----------------|
| 1 | Spindle         |
| 2 | Spindle Washer  |
| 3 | Spindle Sleeve  |
| 4 | Sleeve nut      |
| 5 | Handle receiver |
| 6 | M4 Screw        |
| 7 | Handle          |
| 8 | M6 Screw        |
| 9 | Cap             |

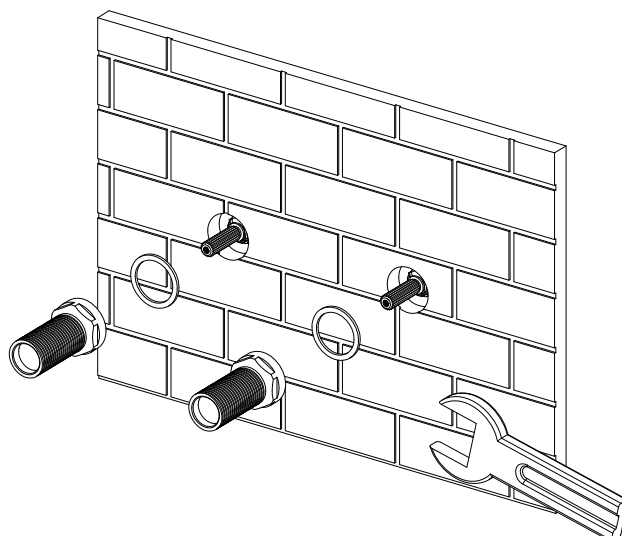
## Step1

Flush pipes , install the spindles into the roughing and tighten .



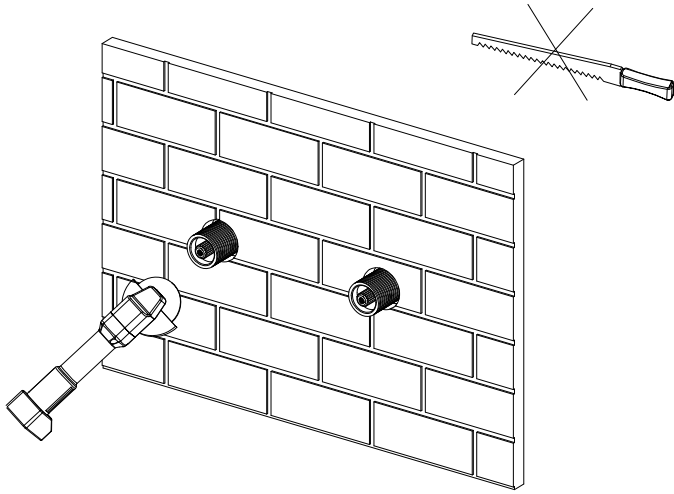
## Step2

Insert the spindle washer and install the spindle sleeve.



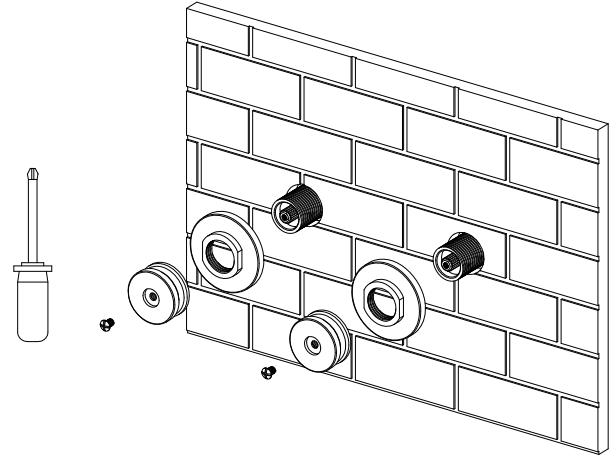
### Step3

Spindle pin and sleeve are made from brass, at Fit off if you notice you have installed the mixer not deep enough or your tiles were thinner that expected you can always trim the pin a little by using an angle grinder and with minimal pressure till the pin is shortened up to 7 mm (do not use a Haksaw) .



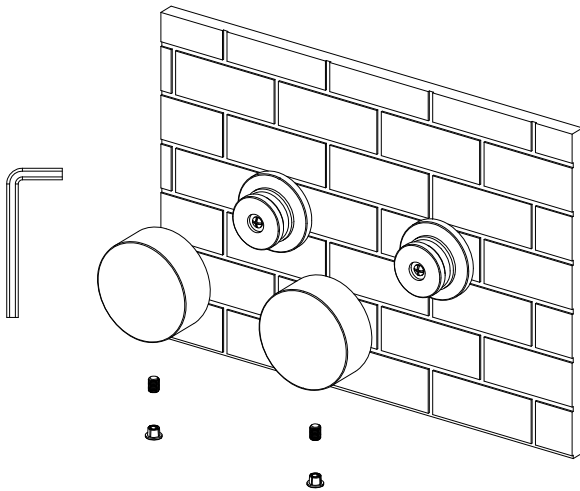
### Step4

Caulk around the sleeve , install the nut and tighten ,install the handle receiver , install screw .



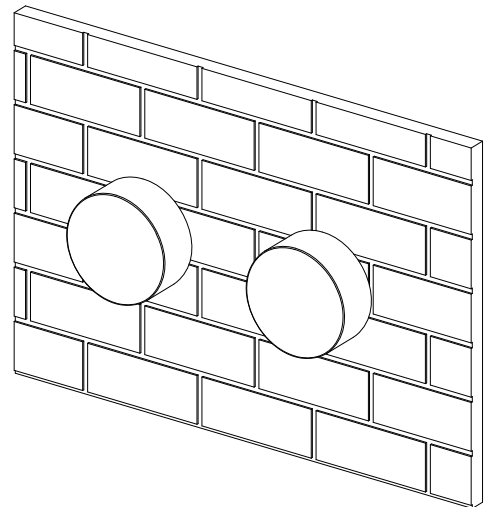
### Step5

Push handle onto the receiver ,adjust the the Hot and Cold in correct position and tighten Grub Screw , put cap on last .



### Step6

Test hot and cold water are functioning .



Please Note: The Plumbing Code of Australia & the Australian Standards (AS/NZS 3500) require that water pressure on your property must not exceed 500KPa. Water mains pressure may be higher depending on where you live.

This Product must be installed by a Licensed plumber

Thank you for choosing Bella Vista