

REMER

VERA 750

LED SHAVING CABINET

SPECIFICATIONS

WIDTH	750mm
HEIGHT	700mm
DEPTH	145mm
WEIGHT	26kg

LIGHTING SPECIFICATIONS

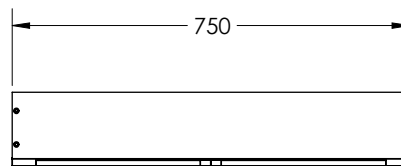
CCT	6500K – daylight
CRI	>80

INSTALLATION

Wall mount
 Hardwired
 Input voltage: 220-240v 50Hz
 Includes wall mount split batten
 Mounting holes are provided for semi-recessed mounting

FEATURES

Copper Free Mirror
 LED Lighting (6500K)
 Touch Sensor
 Demister on all Doors
 Soft Close
 Concealed Wire Technology
 Two Adjustable Glass Shelves
 Double-Sided Mirror Doors
 Recessable up to Door

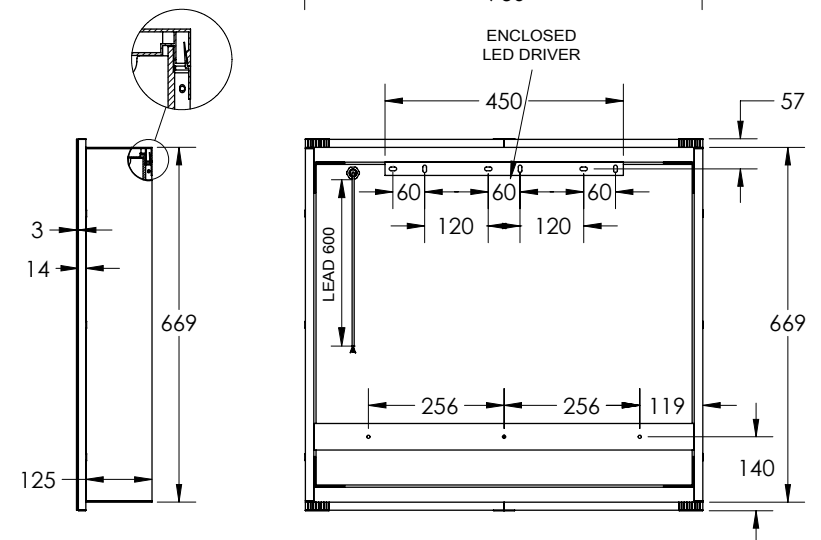
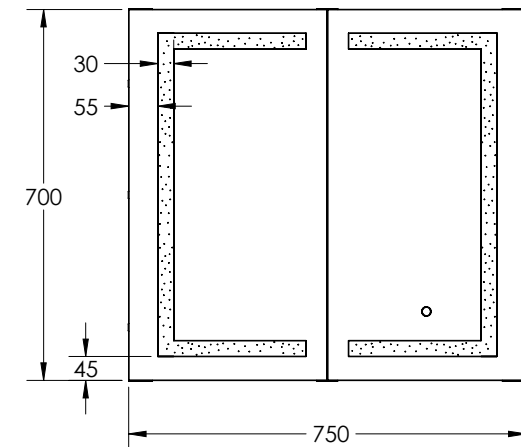


FINISH

Silver Aluminium

PRODUCT CODE

V75D



5 YEAR
 REPLACEMENT
 WARRANTY

Disclaimer: All LED Products requiring hardwiring must be installed by a licensed electrician in accordance with local regulations. Sizes are in mm and nominal and should be checked prior to installation. Actual colours may vary so please check colour samples before ordering. Installation is acceptance of our products. Installation of faulty, warped, chipped or damaged products will void our warranty.

13-15 Edison Road, Dandenong South VIC 3175
 T (03) 9706 6663 E sales@remer.com.au W remer.com.au

REMER