

REMER

KARA 1200DB

LED MIRROR

PRODUCT CODE

K12075DB

SPECIFICATIONS

WIDTH	1200mm
HEIGHT	750mm
DEPTH	58.5mm
WEIGHT	19kg
ORIENTATION	Landscape/Portrait

FEATURES

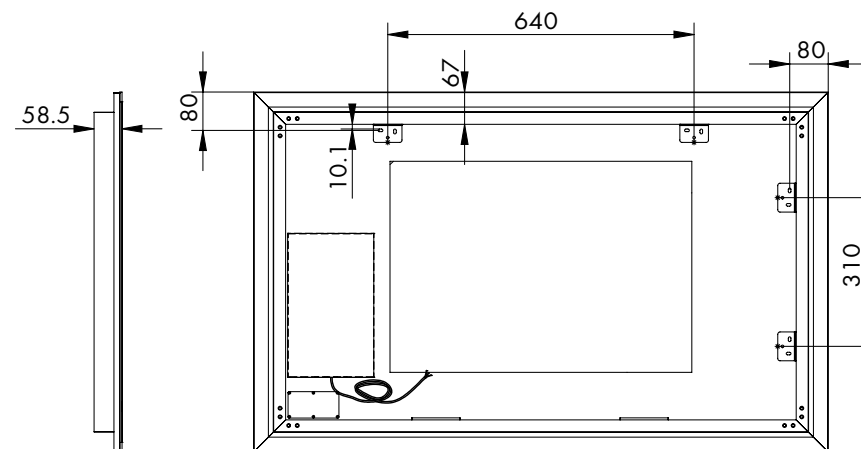
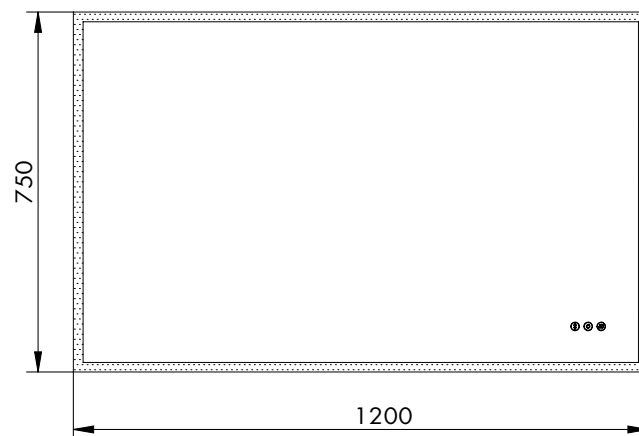
Copper Free Mirror
LED Lighting (Adjustable Colour Temperature)
Touch Sensor
Demister with 1 Hour Auto Cut-off
Bluetooth Speakers

LIGHTING SPECIFICATIONS

CCT	2700K - 6500K
CRI	>80

INSTALLATION

Wall mount
Hardwire
Input voltage: 220-240v 50Hz



5 YEAR
REPLACEMENT
WARRANTY

Disclaimer: All LED Products requiring hardwiring must be installed by a licensed electrician in accordance with local regulations. Sizes are in mm and nominal and should be checked prior to installation. Actual colours may vary so please check colour samples before ordering. Installation is acceptance of our products. Installation of faulty, warped, chipped or damaged products will void our warranty.

13-15 Edison Road, Dandenong South VIC 3175
T (03) 9706 6663 E sales@remer.com.au W remer.com.au

REMER