

MIRAGE PORTABLE MAGNIFIER™

PRODUCT CODE

MX5MW

LED 5X MAGNIFYING MIRROR

SPECIFICATIONS

WIDTH	142mm
HEIGHT	142mm
DEPTH	25.5mm
WEIGHT	Mirage 275g
	Dock 235g

FEATURES

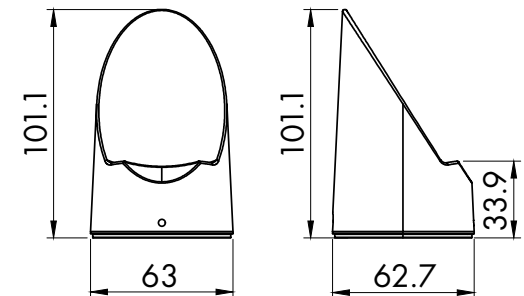
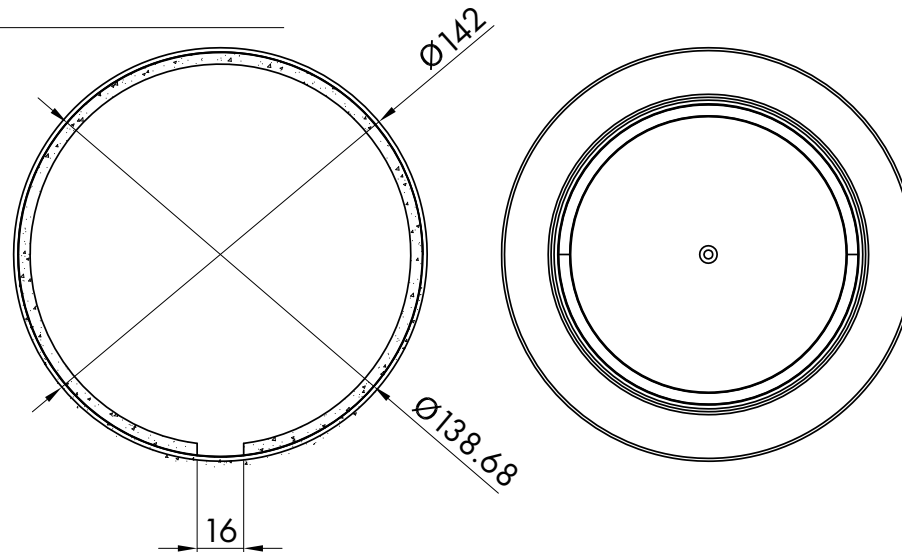
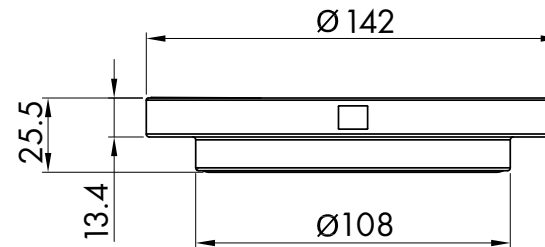
Copper Free Mirror
 LED Lighting
 (Adjustable Colour Temperature)
 Touch Sensor
 Dimmable
 IP55 Rated

LIGHTING SPECIFICATIONS

CCT	2700K - 6500K
CRI	>80

INSTALLATION

USB Charging Dock
 Compatible with Remer Mirrors
 Input voltage: 220-240v 50Hz



Disclaimer: All LED Products requiring hardwiring must be installed by a licensed electrician in accordance with local regulations. Sizes are in mm and nominal and should be checked prior to installation. Actual colours may vary so please check colour samples before ordering. Installation is acceptance of our products. Installation of faulty, warped, chipped or damaged products will void our warranty.

13-15 Edison Road, Dandenong South VIC 3175
 T (03) 9706 6663 E sales@remer.com.au W remer.com.au